

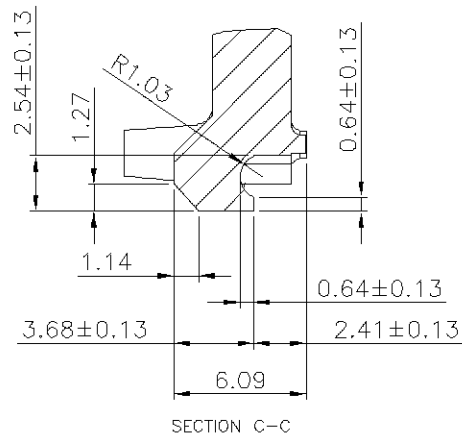
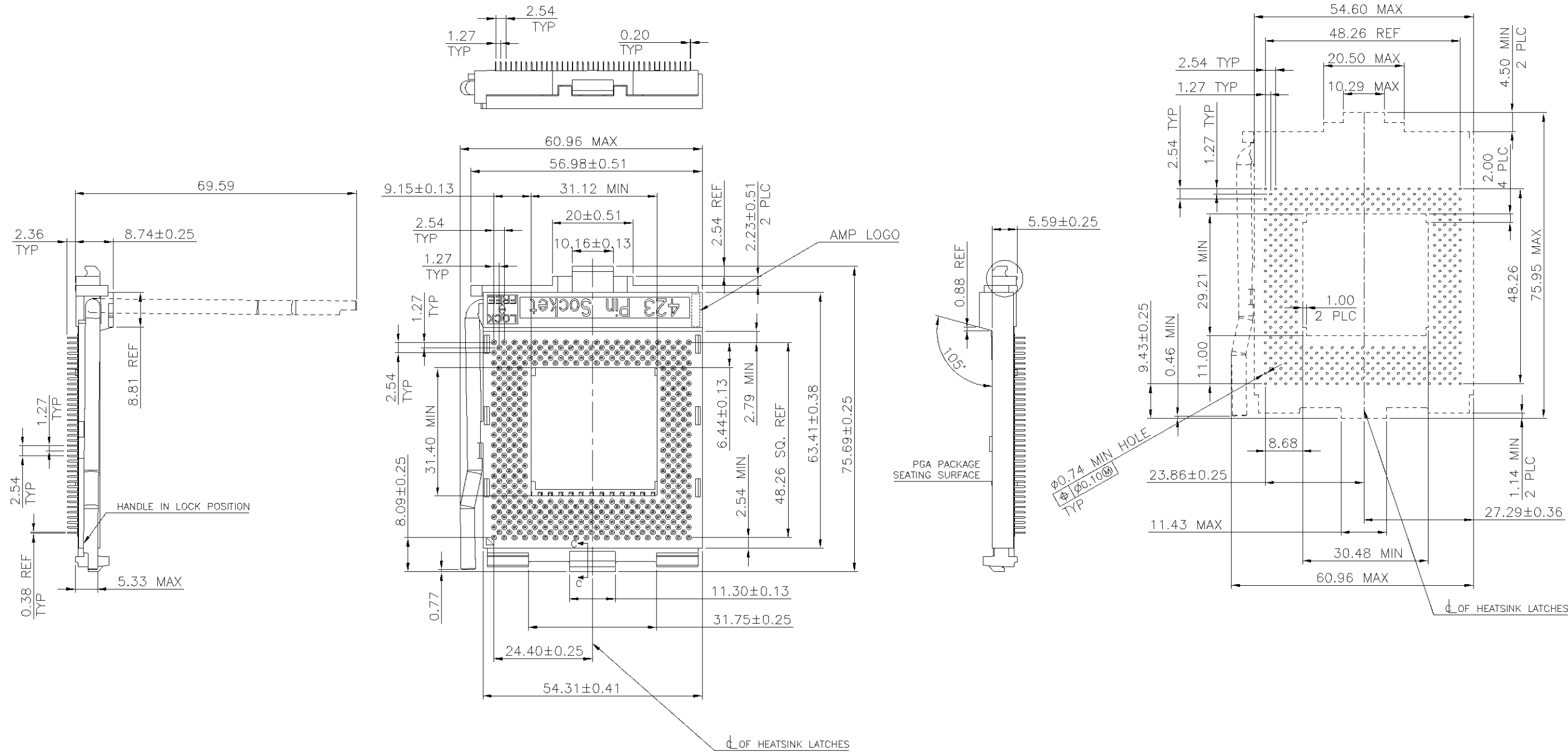
NUMBER  
C-1470001

METRIC  
3RD ANGLE PROJECTION

METRIC

THIS INFORMATION IS CONFIDENTIAL AND IS DISCLOSED TO YOU ON CONDITION THAT NO FURTHER DISCLOSURE IS MADE BY YOU TO OTHER THAN AMP PERSONNEL WITHOUT WRITTEN AUTHORIZATION FROM AMP (TAIWAN) LTD. DIMENSIONS IN MILLIMETERS. DO NOT SCALE PRINT.

PRINT  
DW



△ HOUSING AND COVER ARE HIGH TEMPERATURE THERMOPLASTIC, COLOR: NATURAL.  
LEVER MATERIAL IS STAINLESS STEEL.  
CONTACT MATERIAL IS COPPER ALLOY.

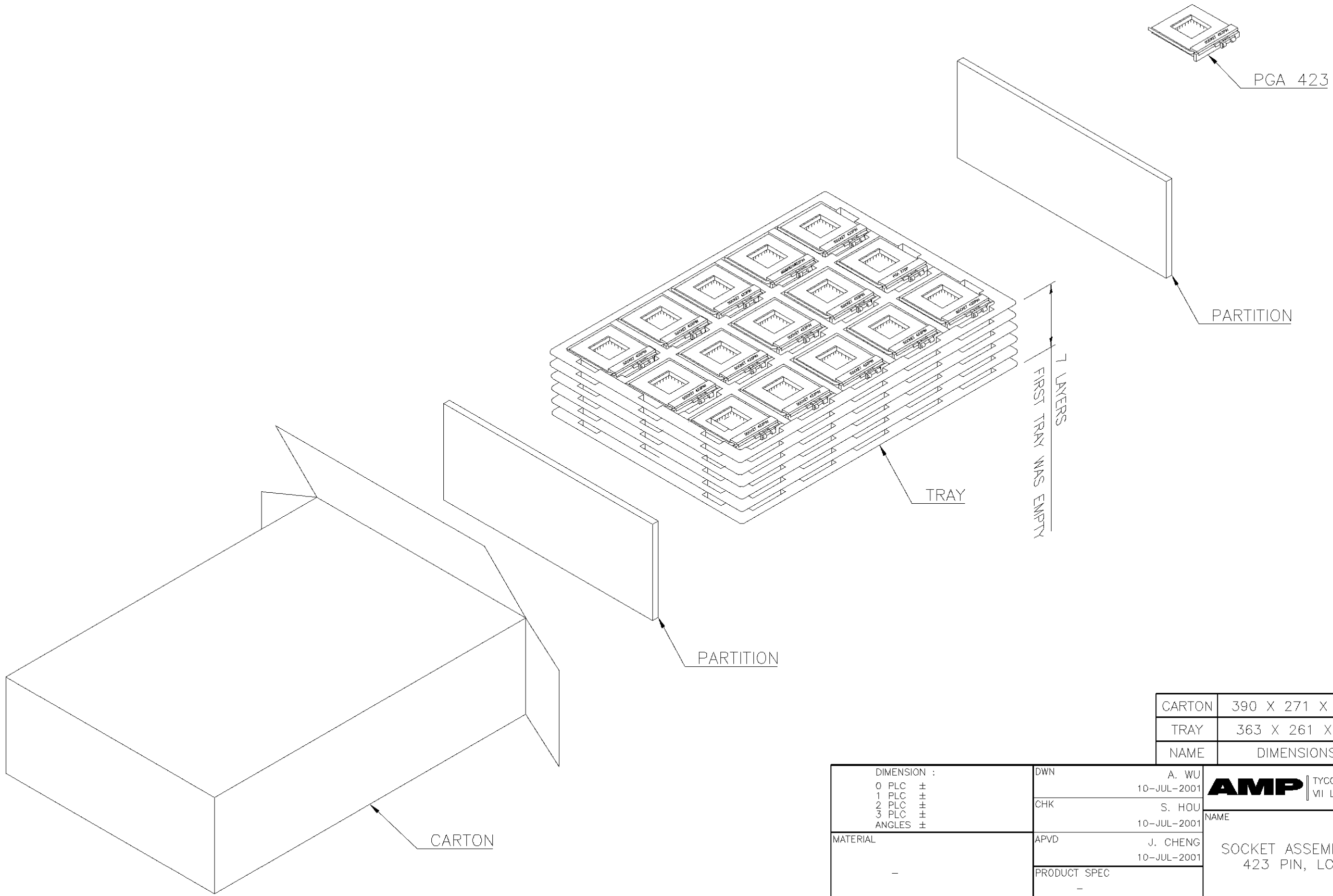
- CONTACT FINISH: MATING AREA-GOLD  
THICKNESS PER TABLE OVER 0.00127 MIN. THICK  
NICKEL PLATE; SOLDER TAIL- 0.00381 MIN.  
THIN TIN-LEAD OVER 0.00127 MIN. THICK NICKEL PLATE.
- SOCKET WILL ACCEPT ANY P.G.A. PACKAGE WITH A PIN  
Ø0.46±0.05 AND A LENGTH OF 3.05-3.30  
LOCATED ON A TRUE POSITION OF 0.25Ⓢ

A	REVISED	FZ00-0033-01	AW/JC	09JUL 2001
O	FIRST RELEASED	FW00-0052-01	AW/JC	18APR 2001
LTR	REVISION RECORD	ECN	DWN/CHK	DATE

DIMENSION :	DWN	A. WU	15μ" 1470001-2	
0 PLC ±	CHK	S. HOU	G/F 1470001-1	
1 PLC ±0.3		10-JUL-2001	MIN. GOLD THICKNESS PART NUMBER	
2 PLC ±0.13		10-JUL-2001	NAME	
3 PLC ±			AMP TYCO HOLDINGS (BERMUDA) VII LTD. TAIWAN BRANCH	
ANGLES ±			SOCKET ASSEMBLY, ZIF, PGA 423 PIN, LOW PROFILE	
MATERIAL	APVD	J. CHENG	LOC SIZE DRAWING NO	
SEE NOTE		10-JUL-2001	DW A3 C-1470001	REV A
FINISH	PRODUCT SPEC	108-57045	SCALE SHEET	
SEE NOTE	APPLICATION SPEC		1 OF 2	
	WEIGHT		CUSTOMER DRAWING	

THIS INFORMATION IS CONFIDENTIAL AND IS DISCLOSED TO YOU ON CONDITION THAT NO FURTHER DISCLOSURE IS MADE BY YOU TO OTHER THAN AMP PERSONNEL WITHOUT WRITTEN AUTHORIZATION FROM AMP (TAIWAN) LTD. DIMENSIONS IN MILLIMETERS. DO NOT SCALE PRINT.

PRINT DIST  
 DW



CARTON	390 X 271 X 115	90 PCS
TRAY	363 X 261 X 19	15 PCS
NAME	DIMENSIONS	QUANTITY

DIMENSION :	DWN	A. WU	<b>AMP</b> TYCO HOLDINGS (BERMUDA) VII LTD. TAIWAN BRANCH NAME SOCKET ASSEMBLY, ZIF, PGA 423 PIN, LOW PROFILE		
0 PLC ±	10-JUL-2001	10-JUL-2001			
1 PLC ±	CHK	S. HOU	LOC SIZE DRAWING NO REV DW <b>A</b> <sub>3</sub> C-1470001 A		
2 PLC ±	10-JUL-2001	10-JUL-2001			
3 PLC ±	MATERIAL	APVD	SCALE SHEET -- 2 OF 2		
ANGLES ±	-	J. CHENG			
FINISH	-	10-JUL-2001	APPLICATION SPEC WEIGHT		
-	-	-			

SEE SHEET 1.	ECN	DWN	CHK	DATE
LTR	REVISION RECORD			